



Contact

www.kwhiq.com
info@kwhiq.com
+31 (0)73 544 3071



**Meet the new 1-phase 65A
energy monitoring solution**

We provide Energy Information Technology with comprehensive monitoring, security and control functionality. Our modular approach let you choose your preferred communication technology.



Direct 1-phase 65A meter IQ0102065BNEM01+D

- > Plug and play 4G-LTE Cat-M communication module with 2G fallback and optional NB-IoT (optional support for other communication technologies like PRIME-PLC/G3-PLC/LAN/...).
- > Compliant with DLMS/COSEM.
- > Improve revenue and energy efficiency with advanced measurement and tariffication.
- > Disconnect / reconnect by means of an on-board disconnecter.
- > Remote authenticated firmware upgrade.
- > Last Gasp function.
- > Protected from fraud or tampering. Alarm and events record. MID approved.
- > P1 port to push data in accordance with DSMR 5.0.2.
- > Accurate clock and daylight saving time supported.

mainfeatures

Measurement and power quality

- > Energy registers: total active and reactive energy, import and export active and reactive energy, reactive energy per quadrant.
- > Rated energy registers: these energy values per tariff rate.
- > Demand: (rated) demand and maximum demand registers with configurable maximum demand integration period (typically 5, 15, 30 or 60 minutes).
- > Instantaneous/average active, reactive and apparent power
- > Instantaneous net frequency, power factor, voltage (rms) and current (rms).

Billing data

- > 13 months meter & equipment data available; cumulative active energy import and export, cumulative reactive energy import and export.
- > 31 days cumulative active energy import and export, cumulative reactive energy import and export, cumulative reactive energy for each quadrant 1~4.

Profiles for energy and power quality

- > 55 days logging of cumulative active energy, import and export with a capture period of 15 minutes.
- > 31 days logging of cumulative active energy, import and export for rate 1 and rate 2, with daily captures.
- > 15 days logging of average voltage, current, import & export active & reactive power, power factor. With 10 minute captures.
- > Periodicity and channels of the profiles are programmable.

Firmware upgrade

- > Remote authenticated firmware upgrade.

Real time clock

- > Accuracy according to EN62054-21 (< 0,5 sec deviation per day).
- > Daylight saving time supported.

- > Remote and local synchronization available.
- > RTC retention during power outages (5 days).

Communication interface

- > Remote communication to HES via modular LTE Cat-M / NB-IoT / 2G communication module.
 - > Always on or triggered configuration.
 - > Last gasp to push information before powering off.
- > P1 port with RJ12 connector to push data to customer's device (DSMR 5.0.2).
- > Local communication via optical port.

Display

- > LCD without backlight.
- > With Obis codes and icons.
- > Three programmable display modes (auto scroll, manual scroll and steady message).
- > LEDs on the WAN communication module to indicate the communication status.
- > Two LEDs for active and reactive energy pulse output.

Anti-tamper features

Detection and alarming for:

- > Main and terminal cover open (power on and power outage).
- > Communication module removal.
- > Access with incorrect credentials.
- > Magnetic field tampering.

Event record

- > Up to 255 kinds of event records with timestamp.
 - > Long / short term power failure.
 - > Tampering events.

- > Voltage quality events.
- > Firmware upgrade events.

Disconnecter

- > Different modes (direct / indirect, remote / local).

Privacy and security

- > DLMS Low Level Security.
- > DLMS High Level Security 5 (AES/GMAC).
- > Data encryption and authentication.
- > Key-wrapping.

technical specifications

Reference standard

- > EN 50470-1, EN 50470-3, IEC 61008-1, IEC 62059-31/41, IEC 62052-11, IEC 62053-21/23; IEC 62056-21/46/53/61/62, EN55022

Electrical

Accuracy	Active	Class B
	Reactive	Class 2
Voltage	Rated Voltage	230V
	Operation voltage range	80% to 120% Un
Current	Rated current	5(65)A
	Starting current	20mA
Frequency	50Hz ± 2%	
Power consumption	Voltage circuit	≤2W, 10VA
	Current circuit	≤1VA
Pulse constant	2000 imp/kWh(kvarh)	
Switch relay	I _{max} =65A	

Reliability

Meter life	15 Years
Data retention	≥15 Years

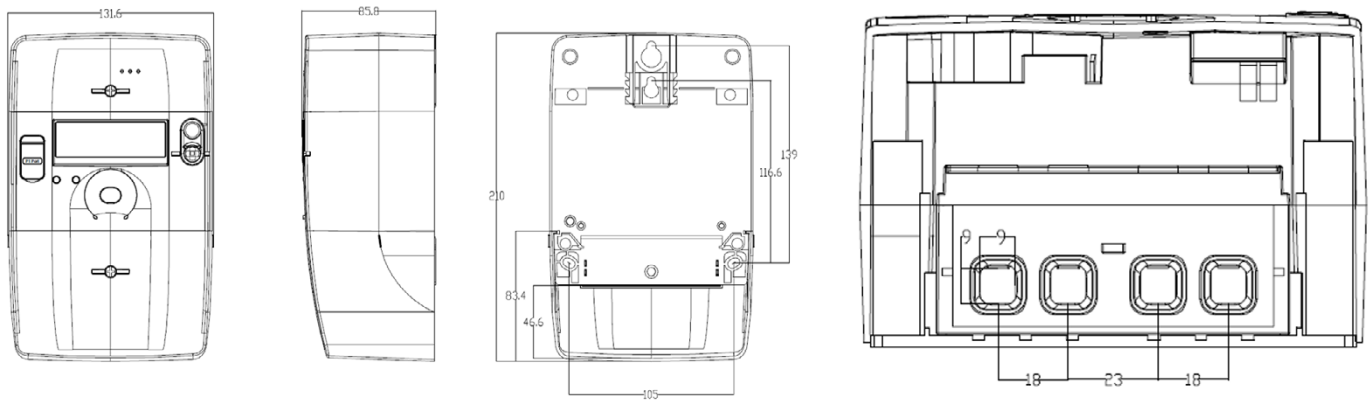
Mechanical

Dimensions (L x W x H)	210 x 131.6 x 85.8(mm)
Enclosure material	PC+GF
Insulation protection	Class II
Weight (Kg)	0.95
Terminals	Professional Lifting system with wrong connection prevention

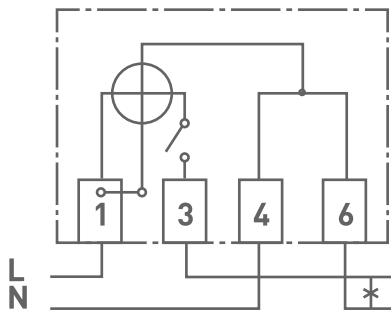
Environmental

Operating temperature	-40 ° C to 70 ° C
Operating humidity	Maximum 95% RH
Storage temperature	-40 ° C to 70 ° C
Ingress protection	IP54

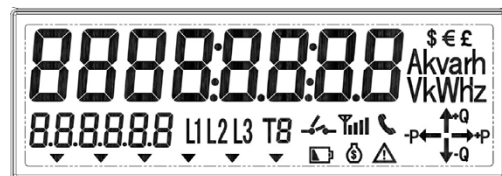
Overall dimensions



Wiring diagram



Display format



contact information



Contact - NL

Burgemeester Burgerslaan 40
5245 NH Rosmalen
The Netherlands
Phone: +31 73 544 3071



Contact - BE

Metropoolstraat 11a
B2900 Schoten
Belgium
Phone: +32 32 01 95 95



Contact - UAE

Office 901 HQ Tower (North)
Dubai Science Park PO.Box: 478817
Dubai -United Arab Emirates
Phone: +971 4 4422 9701