

IQ ENERGY
METERING
SOLUTIONS



kwhiq

Contact

www.kwhiq.com
info@kwhiq.com
+31 (0)73 544 3071



**Meet the new IQ603 IoT ready gas meter
(STS prepaid)**

We provide Energy Information Technology with comprehensive monitoring, security, anti-tampering and control functionality.



NFC Token Smart Gas Meter IQ603

IQ603 series is fully-integrated spectrum of data management and Internet of Things (IoT)-ready gas meter, plus NFC card offline version.

The meter is fully compliant with STS (IEC62055-41) and can be used in combination with a NFC card carrying the top-up tokens. The double encryption ensures highly secured information safety. The NFC card enables communication to monitor and display balances, status and log into the data management system of the utility.

Excellent anti-tamper designs make the meter safe even its offline working.

It will allow the optimization of the entire gas value chain by combining KWHIQ's data management system, including applications ranging from the wellhead to the burner tip. This product enables utilities and companies to exercise control over their gas measuring and regulation requirements while ensuring minimum ownership costs.

mainfeatures

Key features

- > STS prepayment
- > Valve management automatically
- > History consumption, daily and monthly
- > Tamper events and alert
- > Log system
- > NFC back-info system
- > Life cycle management system
- > Safety button to restore gas supply

Smartness & safety

- > Safety gas supply restore
- > Over flow protection *1
- > Cut off gas supply once magnetic influence detected
- > Low battery protection

Tiny power consumption

- > Ultra low power management
- > Tiny power hardware & software structure
- > Over 10 years' battery life time *2

Reliability

- > Anti-stuck valve by pre-fire tactics periodically
- > Backup battery *3

Protocol

- > STS IEC62055-41
- > MIFARE IEC14443-A

Display

- > TN wide view angle with backlit

Mechanical control button

- > Two buttons for checking on site

Standard & approve

- > CE (EN1359 & OIML R137)
- > ATEX (EN60079-0/11)
- > STS (IEC62055-41)

*1 Configurable, inform KWHIQ if needed.

*2 Very related to customer behavior, calculated with original battery and typical condition.


*3 Configurable, inform KWHIQ if needed.

technical specifications

Environmental classes

The meter is intended to be used in M1 E2 environmental classes according to DIRECTIVE 2014/32/EU.

Standard Parameters

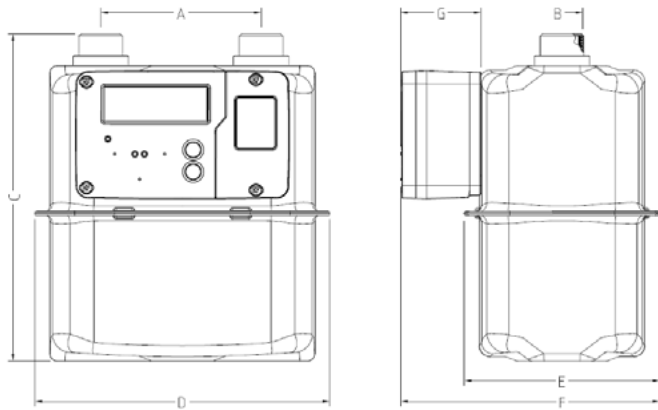
Meter Variant	G2.5	G4
Maximum Flow Rate (m ³ /h) Qmax	4	6
Minimum Flow Rate (m ³ /h) Qmin	0.025	0.04
Normal Flow Rate (m ³ /h) Qnorm	2.5	4
Max Working Pressure (mbar)	500	
Pressure Absorption (mbar, Initial)	<2	<2
Maximum Error Limit (qt≤q≤qmax, Initial)	±1.5%	
Maximum Error Limit (qmin≤q<qt, Initial)	±3%	
Cyclic Volume (dm ³ , Typical)	1.2	
Starting Flow Rate (dm ³ /h) Qstart	5	5
Connection Centers (mm)	110	
Gas Connections	G 3/4"	
Maximum Allowed Torque (Nm)	56	
Weight (kg, General)	1.55	
Max Index Reading (m ³)	999999.999	
Operating Temperature (°C)	-25 to +55	
Storage Temperature (°C)	-25 to +60	
Operating Humidity	Maximum 95% RH	
Meter Life Time	Over 10 Years *1	
Battery Life Time	10 Years *1	
Ingress Protection	IP65	
ATEX Mark	 II 3G ic II B T4 Gc	

*1 Very related to customer behavior, calculated with original battery and typical condition.

NFC Card System

NFC Protocol	IEEE14443 Type A
NFC Card	1k Byte for user card / 4k Byte for tool cards
Maxim Tokens in card	5 tokens from management system to meter one time
Feedback Information	Balance, Debit, Working Status, Event Logs

Overall dimensions



Display format



Parameters		Value						
Meter Variant		G1.6	G2.5	G4	G6	G10	G16	G25
Maximum Flow Rate (m³/h) Qmax		2.5	4	6	10	16	25	40
Minimum Flow Rate (m³/h) Qmin		0.016	0.025	0.04	0.06	0.1	0.16	0.25
Normal Flow Rate (m³/h) Qnorm		1.6	2.5	4	6	10	16	25
Dimension	- A(mm)	110	110	110	110	200	240	300
	- B(in)	G 3/4"	G 3/4"	G 3/4"	G 1/4"	G 1/4"	G2"	M80x3
	- C(mm)	226	226	226	273.5	327.5	375.5	437
	- D(mm)	205	205	205	254.5	316	355.5	438.8
	- E(mm)	168	168	168	168.6	191	213	262.5
	- F(mm)	223.7	223.7	223.7	224.3	246.7	268.7	318.2
	- G(mm)	55.7	55.7	55.7	55.7	55.7	55.7	55.7
Max Working Pressure (mbar)		500 (For IQ603-x-S serial); 1500 (For IQ603-x-A serial)						
Pressure Absorption (mbar, Initial)		<2						

contact information



Contact - NL

Burgemeester Burgerslaan 40
 5245 NH Rosmalen
 The Netherlands
 Phone: +31 73 544 3071



Contact - BE

Metropoolstraat 11a
 B2900 Schoten
 Belgium
 Phone: +32 32 01 95 95



Contact - UAE

Office 901 HQ Tower (North)
 Dubai Science Park PO.Box: 478817
 Dubai -United Arab Emirates
 Phone: +971 4 4422 9701