



**IQ ENERGY  
METERING  
SOLUTIONS**



**Contact**

www.kwhiq.com  
info@kwhiq.com  
+31 (0)73 544 3071



**Meet the new IQ0304100MEGR01+D  
3-phase 100A electricity metering solution**

We provide Energy Information Technology with comprehensive monitoring, security and control functionality. Our modular approach let you choose your preferred communication technology.



## IQ0304100MEGR01+D smart three phase direct connected meter

- > Plug and play 4G-LTE communication module (optional support PRIME-PLC/G3-PLC/NB-IoT technology)
- > Compliant with DLMS/COSEM
- > Energy efficiency with advanced measurement with TOU
- > Disconnect / reconnect
- > Remote authenticated firmware upgrade
- > Last Gasp function
- > Protect from fraud or tampering
- > MID approved

## mainfeatures

### Measurement and power quality

- > Import and export active/reactive/apparent energy/demand/power, 4 quadrants reactive energy/power; Configurable maximum demand integration period (typically 5, 15, 30 or 60 minutes); Instantaneous import voltage and current per phase, import/export power factor, Frequency; Instantaneous THDs for voltage, current, phase difference (voltage/current) per phase.

### TOU

- > 2 sets of tariff structure, up to 8 tariffs; 8 season/week/day profiles; 420 special days

### Billing data

- > 3 monthly billing data, 3 daily billing data

### Load profile for energy and power quality

- > At least 12 programmable channels for energy and demand load profile; At least 16 programmable channels for power quality load profile; Programmable profiles period (typically 5, 15, 30, 60 minutes). At least 90 days capacity for 30 minutes period.

### Real time clock

- > Remote and local synchronization available

### Communication interface

- > Optical port, baud rate default 9600bps
- > Plug-and-Play module: support PRIME-PLC/G-PLC/4G-LTE/NB-IoT module
- > One RS-485 interface (RJ-45 terminal with 12VDC 5W power out) for external communication module and connect to other RS-485 meters
- > One RJ-45 RS-485 interface for IHD (RJ-45 terminal with 12VDC 5W power out)

### Display and indicators

- > Character type LCD to support text based messages with back light
- > Two LEDs indicate active and reactive pulse
- > One bi-color LED indicates the remote communication status

### Disconnect/reconnect

- > A latching relay, which complies with IEC 62055-31 UC3, supports the disconnect/reconnect power supply.

### Backup power supply

- > Replaceable battery with independent seal, support at least 1 year without main power supply.

### Anti-tamper features

- > Current reversal detection and measurement; CT open and CT bypass; Magnetic field detection and protection; Face cover and terminal cover open detection (normal and power outage); Phase Sequence Reversal; Phase voltage missing, neutral line missing; Phase-neutral swap.

### Terminals

- > One RJ-45 terminal for IHD port
- > One RJ-45 terminal for RS-485 communication port

# technical specifications

## Reference standard

> IEC 62052-11, IEC 62053-21/23, EN 50470-1/3, DIN 43857, IEC 62056-21/46/53/61/62

## Electrical

|                          |  |   |
|--------------------------|--|---|
| <b>Accuracy</b>          | Active   | Class 1                                 |
|                          | Reactive   | Class 2                                 |
| <b>Voltage</b>           | Rated Voltage  | 3x230V/400V, 3x240/415V,<br>3x133V/230V |
|                          | Operation voltage range  | 80% to 120% Un                          |
| <b>Current</b>           | Rated current  | 5(100)A                                 |
|                          | Starting current   | 20mA                                    |
| <b>Frequency</b>         | 50/60Hz ± 5% Hz  |   |
| <b>Pulse constant</b>    | 1000 imp/kWh(kvarh) (configurable as requirement)  |   |
| <b>Power consumption</b> | 2W / 5 VA without P2 and P3 communication<br>6W / 16 VA with P2 and P3 communication<br>No connected P1 device |   |
| <b>Power quality</b>     | EN50160  |   |

## Reliability

|                                 |                          |
|---------------------------------|--------------------------|
| <b>Meter life</b>               | ≥15 Years                |
| <b>Data retention</b>           | ≥20 Years                |
| <b>Real-time clock accuracy</b> | Typically 5 ppm at 23 °C |

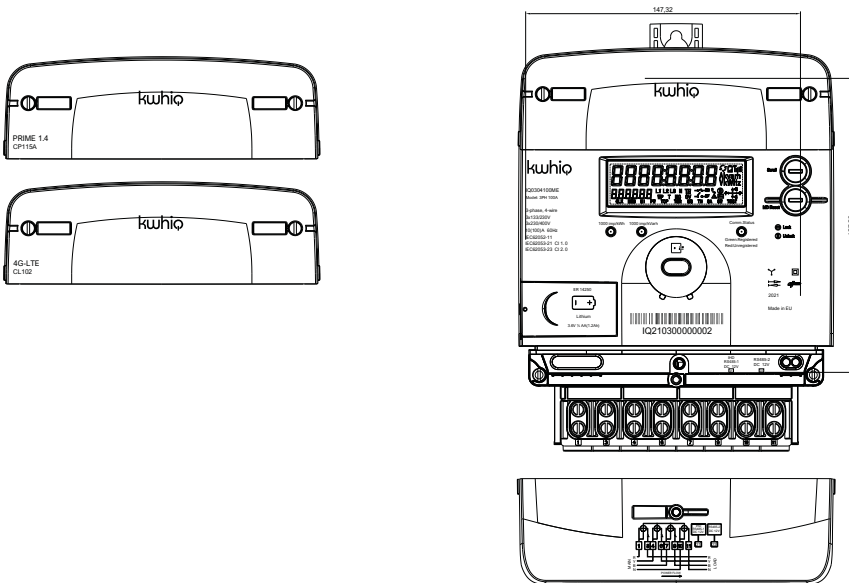
## Mechanical

|                               |                     |
|-------------------------------|---------------------|
| <b>Dimensions (L x W x H)</b> | 216.5×170.5×87(mm)  |
| <b>Enclosure material</b>     | PC+GF               |
| <b>Insulation protection</b>  | Class II            |
| <b>Weight (Kg)</b>            | 2.1                 |
| <b>Terminals</b>              | Barrel type (RJ-45) |

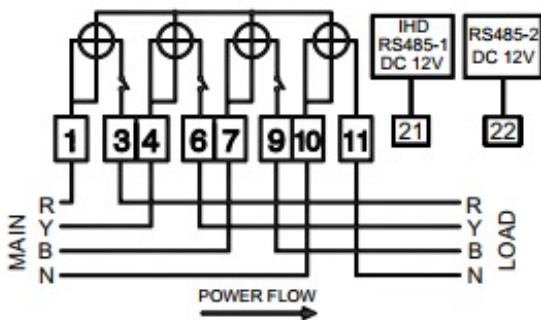
## Environmental

|                                    |                   |
|------------------------------------|-------------------|
| <b>Limit operating temperature</b> | -25 ° C to 75 ° C |
| <b>Operating humidity</b>          | Maximum 95% RH    |
| <b>Storage temperature</b>         | -25 ° C to 85 ° C |
| <b>Ingress protection</b>          | IP54              |

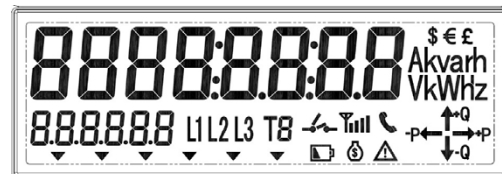
### Overall dimensions



### Wiring diagram



### Display format



| Pin no. | 1                  | 2 | 3  | 4          | 5          | 6  | 7 | 8          |
|---------|--------------------|---|----|------------|------------|----|---|------------|
| Pin-out | Modem PSU (12VDC+) |   | NC | RS-485 (+) | RS-485 (-) | NC |   | GND (VDC-) |

## contact information



### Contact - NL

Burgemeester Burgerslaan 40  
5245 NH Rosmalen  
The Netherlands  
Phone: +31 73 544 3071



### Contact - BE

Metropoolstraat 11a  
B2900 Schoten  
Belgium  
Phone: +32 32 01 95 95



### Contact - UAE

Office 901 HQ Tower (North)  
Dubai Science Park PO.Box: 478817  
Dubai -United Arab Emirates  
Phone: +971 4 4422 9701